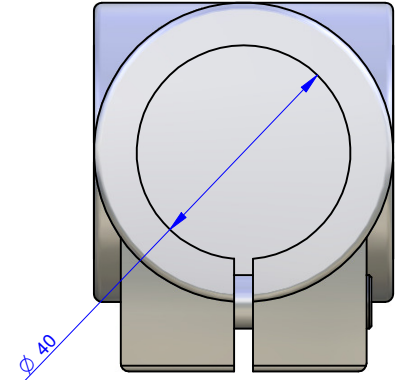
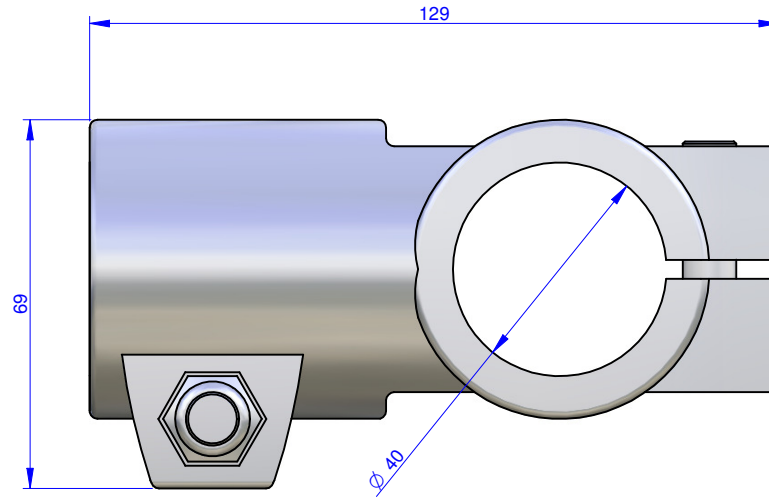
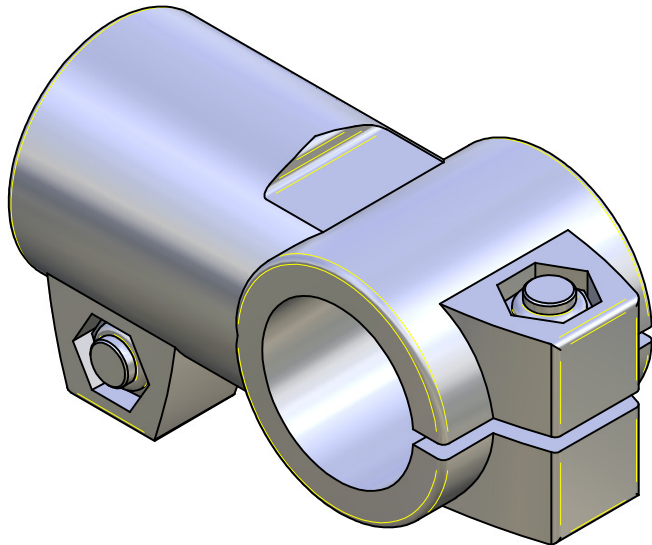


THE PROPERTY OF THIS DRAWING IS ESTABLISHED BY LAW  
IT IS FORBIDDEN TO REPRODUCE IT OR SHOW IT TO THIRD PARTY  
WITHOUT A WRITTEN AGREEMENT.

MODIFICATIONS:	VARIED DIMENSIONS AS OF DATE:
7	10
8	11
9	12

MODIFICATIONS:	VARIED DIMENSIONS AS OF DATE:
1	4
2	5
3	6

Format **A3**  
UNI 936-76



<b>FP Services</b>		DESIGNED FROM FPSERVICES	
GENERAL TOLERANCE: UNI - ISO 2768 CLASSE f		DATE 08/2014	WEIGHT 0,476 kg
DESCRIPTION		CODE <b>CA.ATK.25.25</b>	

